

CERAMIC TRIMMER CAPACITOR – 7mm

◆ **Specifications**

- Operating Temperature Range : -30°C to +85°C
- Rated Working Voltage : 100VDC
- Withstanding Voltage : 500VDC
- Insulation Resistance : 10⁴ MΩ min.
- Rotation Torque : 40 ~ 200 g-cm
- Soldering Temperature : 250±5°C

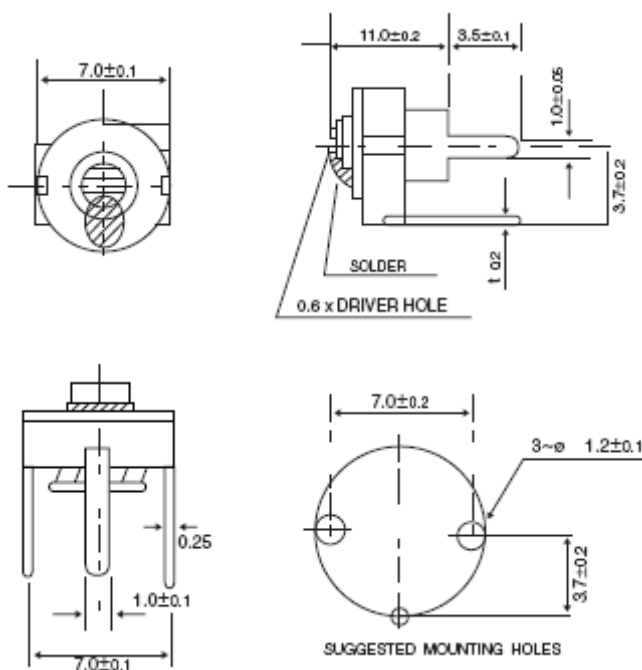
◆ **Ratings**

PART NO.	MIN. CAP. (pF)	MAX. CAP. (pF)	TEMP. COEFF. PPM/°C	Q FACTOR @1MHz Cmax
CVN (N,V) 07-050	2.0 max	5.0 ⁺¹⁰⁰ / ₋₀ %	NP0±200	>300
CVN (N,V) 07-100	2.5 max	10.0 ⁺¹⁰⁰ / ₋₀ %	NP0±200	>300
CVN (N,V) 07-200	3.0 max	20.0 ⁺¹⁰⁰ / ₋₀ %	N470±200	>300
CVN (N,V) 07-300	4.5 max	30.0 ⁺¹⁰⁰ / ₋₀ %	N550±300	>300
CVN (N,V) 07-500	6.0 max	50.0 ⁺¹⁰⁰ / ₋₀ %	N1400±300	>300
CVN (N,V) 07-700	8.5 max	70.0 ⁺¹⁰⁰ / ₋₀ %	N2200±300	>200
CVN (N,V) 07-101	12.0 max	100.0 ⁺¹⁰⁰ / ₋₀ %	N2200±300	>200

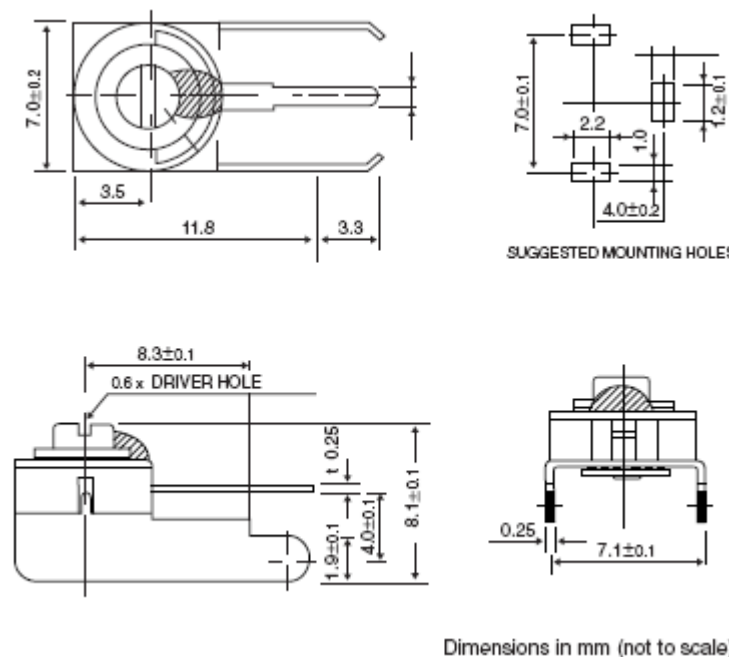
N: Normal V: Vertical

◆ **Drawing**

NORMAL TYPE



VERTICAL TYPE



Dimensions in mm (not to scale)