

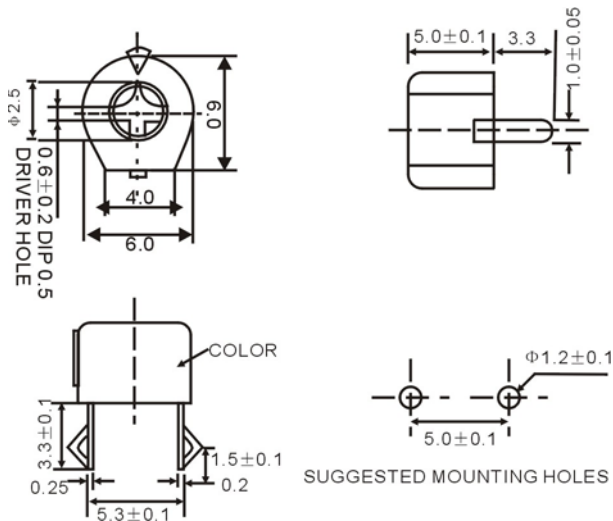
CERAMIC TRIMMER CAPACITOR – 6mm

◆ Specifications

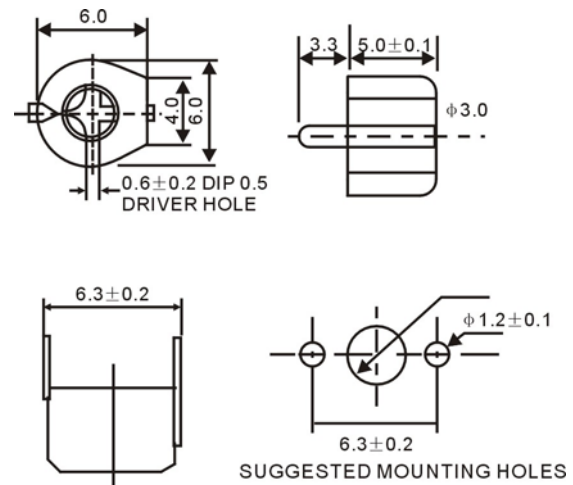
- Operating Temperature Range : -30°C to +85°C
- Rated Working Voltage : 200VDC
- Withstanding Voltage : 400VDC
- Insulation Resistance : 10 MΩat 250VDC
- Rotation Torque : 30 ~ 200 gr-cm



◆ STRAIGHT TYPE



◆ REAR TYPE



UNIT:MM

◆ Ratings

PART NO.	MIN. CAP. (pF)	MAX. CAP. (pF)	TEMP. COEFF. PPM/°C	Q FACTOR @1MHz Cmax	COLOR
CVN (S,R) 06-050	2.0±50%	5.0 ⁺¹⁰⁰ / ₋₀ %	NP 0 ± 200	>500	BLUE
CVN (S,R) 06-100	3.0±50%	10.0 ⁺¹⁰⁰ / ₋₀ %	N 450 ± 300	>500	WHITE
CVN (S,R) 06-200	4.2±50%	20.0 ⁺¹⁰⁰ / ₋₀ %	N 450 ± 300	>500	RED
CVN (S,R) 06-300	6.2±50%	30.0 ⁺¹⁰⁰ / ₋₀ %	N 750 ± 500	>500	GREEN
CVN (S,R) 06-400	6.8±50%	40.0 ⁺¹⁰⁰ / ₋₀ %	N 1200 ± 500	>300	YELLOW
CVN (S,R) 06-500	9.8±50%	50.0 ⁺¹⁰⁰ / ₋₀ %	N 1200 ± 500	>300	BROWN
CVN (S,R) 06-600	12±50%	60.0 ⁺¹⁰⁰ / ₋₀ %	N 1200 ± 500	>200	BROWN

S: Straight R: Rear